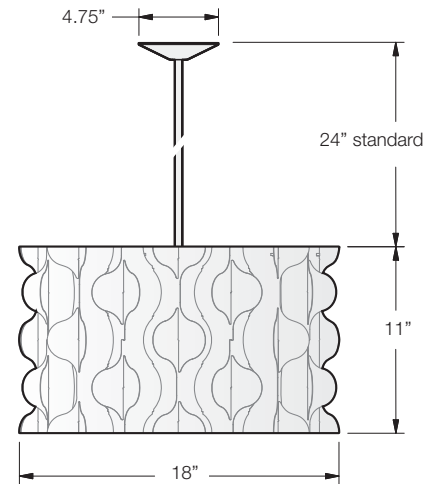


dform | spade drum 18



model	shade material	lampholder type	voltage	suspension	metal finish	stem length
DY32						

size 18" W x 11" H weight 8 lbs certification 	standard A = aspen B = birch	A = (3) 60w incandescent A19 also compatible with fluorescent screw base lamps are not included	 120 277 - lamp type X & D only	T = steel tube stem w/ canopy S = steel tube stem w/ swivel canopy R = aircraft cable w/ cable canopy	M1 = silver metallic M2 = light bronze M3 = dark bronze	the stem length is the distance from the ceiling to the top of the fixture the standard stem length is 24". Any cut length up to 48" is no additional charge for stems over 48" add \$17 per 24" length
	custom P = white poly additional charges apply to custom options	G = (3) 26w fluorescent GU24 twist lock X = (2) 26w fluorescent 4-pin GX24Q-3 D = (2) 26w fluorescent 4-pin GX24Q-3 dimmable	 			

	material details	suspension options	mounting details
project: type: quantity: notes:	shade the standard shade material is 2-ply wood veneer with a poly core lamination and surface coating. The material is cleanable with soap water and cloth or household spray cleaners. the custom white poly material can also be made in other colors. diffuser a matte white acrylic diffuser in the bottom of the fixture is standard. hardware all hardware is steel with a powder coat finish, or aluminum or stainless with a brushed finish.	 standard canopy swivel canopy cable canopy	 overall drop distance stem length shade height an octagonal junction box in the ceiling is required for mounting.