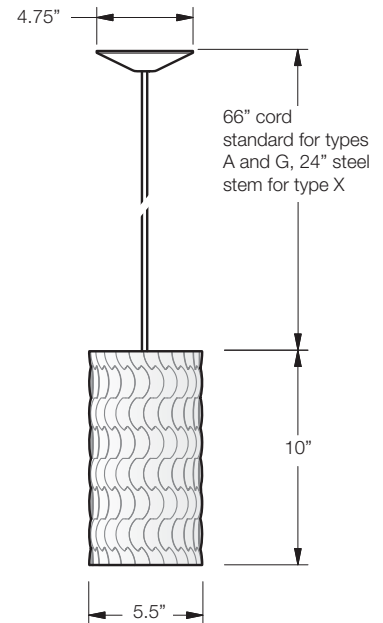


dform | small pucci pendant



model	shade material	lampholder type	voltage	suspension	metal finish	cord length
PS24						

size 5.5" W x 10" H weight 1 lb certification 	standard A = aspen B = birch	A = (1) 60w incandescent A19 also compatible with fluorescent screw base lamps are not included	120	C = white cord w/ canopy (type A or G lampholder only)	M4= white (type A or G lampholder only)	the standard suspension cord length is 66" and is field adjustable for shorter lengths. Please specify for longer cord lengths. optional steel suspension rods are 24" long and \$17 ea. Any cut length is available and rods link end to end for longer drops.
	custom P = white poly additional charges apply to custom options	G = (1) 26w fluorescent GU24 twist lock X = (1) 26w fluorescent 4-pin GX24Q-3	277- lamp type X only	K = black cord w/ silver canopy (type A or G lampholder only) T = steel tube stem w/ canopy	M1= silver M2= light bronze M3= dark bronze	

	material details	suspension options	mounting details
project: type: quantity: notes:	shade the standard shade material is 2-ply wood veneer with a poly core lamination and surface coating. The material is cleanable with soap water and cloth or household spray cleaners. the custom white poly material can also be made in other colors. hardware all hardware is steel or aluminum with a powder coat finish.		