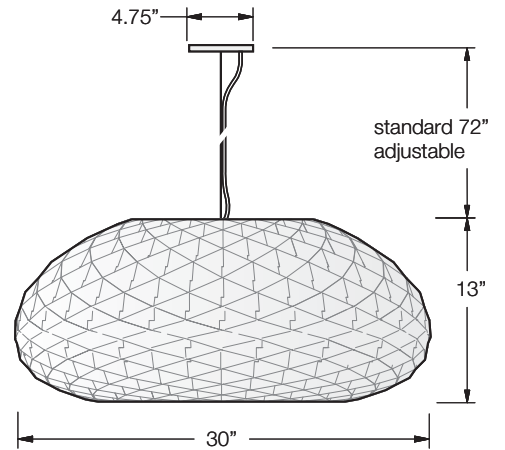


dform | pina pendant



pictured above in white finish

model	shade material/finish	lampholder type	voltage	suspension	canopy finish	drop distance
PI1-30						
size 30"W x 13"H	standard W = <input type="text"/> aluminum / white	incandescent A19 A = (3) 60w fluor GU24 twist lock G = (2) 26w fluor 4-pin GX24Q-3 X = (2) 26w fluor 4-pin dimmable D = (2) 26w lamps are not included	120 277* <i>*lamp type X & D only</i>	standard R = aircraft cable w/ cable canopy custom T = steel tube w/ canopy S = steel tube w/ swivel canopy	standard powder coat M4 = <input type="text"/> white custom powder coat M1 = <input type="text"/> silver metallic M2 = <input type="text"/> light bronze M3 = <input type="text"/> dark bronze	overall drop from ceiling to bottom of fixture in inches standard adjustable suspension cable length is 72", please specify for longer lengths
weight 9 lbs	custom X = <input type="text"/> alu choose RAL color A = <input type="text"/> choose anod alu color B = <input type="text"/> brass C = <input type="text"/> copper					
	matte white acrylic diffuser in bottom of fixture is standard					

suspension options

mounting detail

project:

type:

quantity:

notes:

