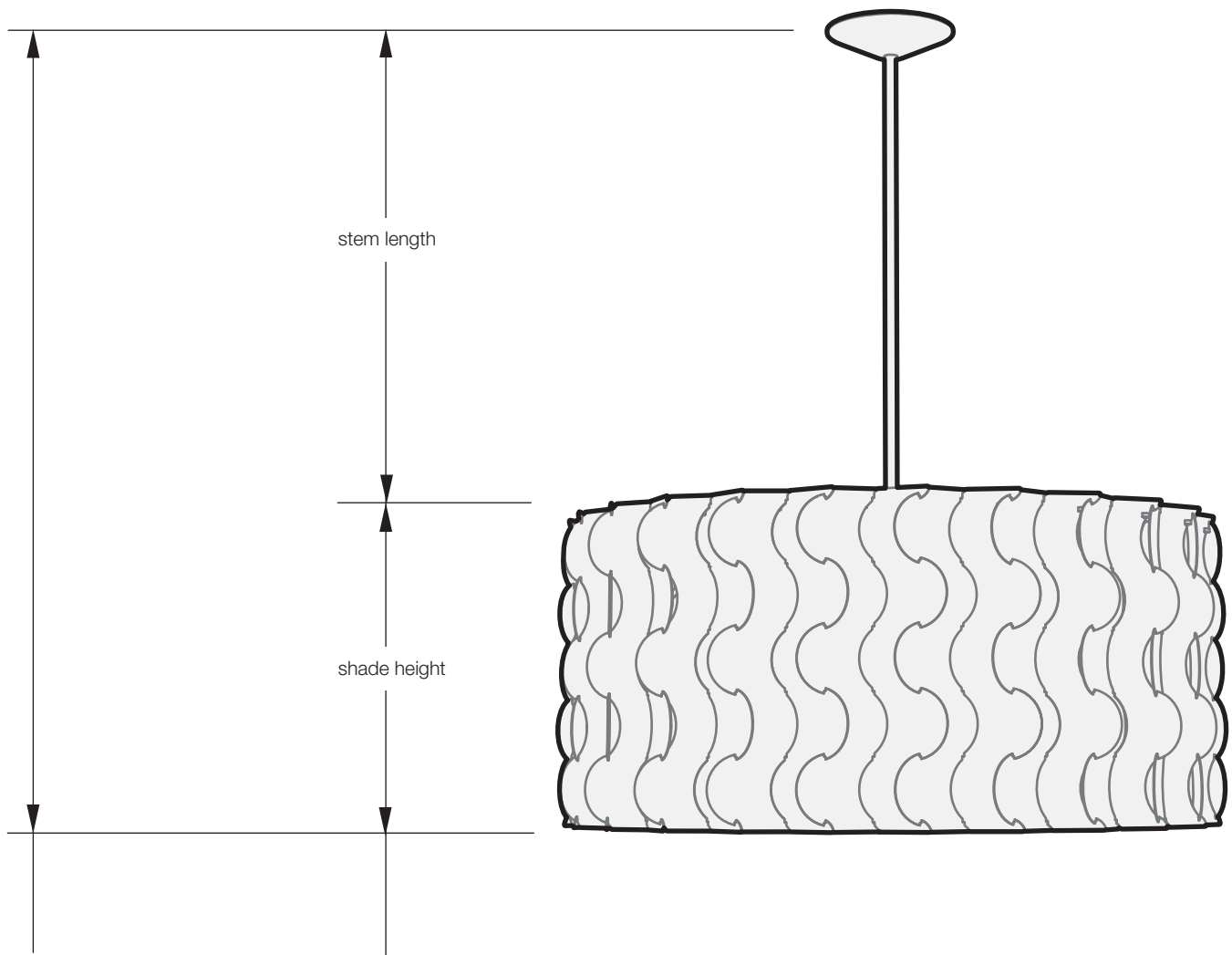


dform | stem length



1. Determine the distance from the ceiling the fixture is to hang. When hanging over dining tables this is generally 30" to 36" from the top of the table.
2. Subtract the shade height shown in the list below from the over-all drop measurement. The stem length is the difference of the two- the distance from the ceiling to the top of the shade.
3. Rods link end to end and can be cut to any length. The standard suspension rod length is 24". Any length up to 48" is no additional charge; over 48" add \$17 per 24" length.

shade heights

| 10" | 10.5" | 11" | 14" | 17" | 21" |
|------------------|---|--|------------------|--------------------------------------|------------------|
| spiral saucer 24 | basket drum 14 and 21 small pucci drum 18 and 24 | pucci drum 18 and 24 spade drum 18 and 24 basket saucer 24 basket saucer 30 | basket saucer 36 | basket saucer 42 spiral saucer 42 | basket saucer 52 |